

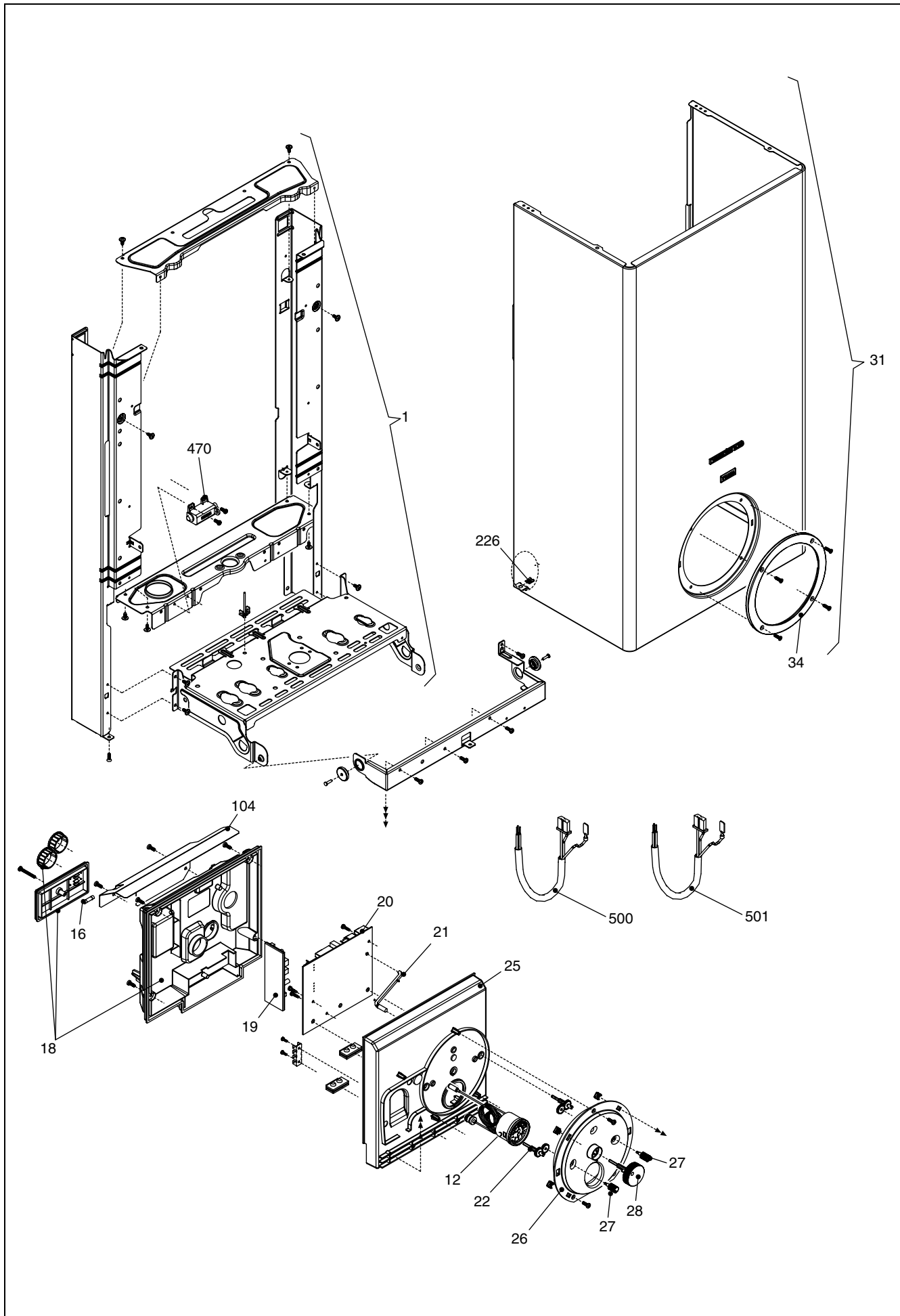


Wall hung boilers

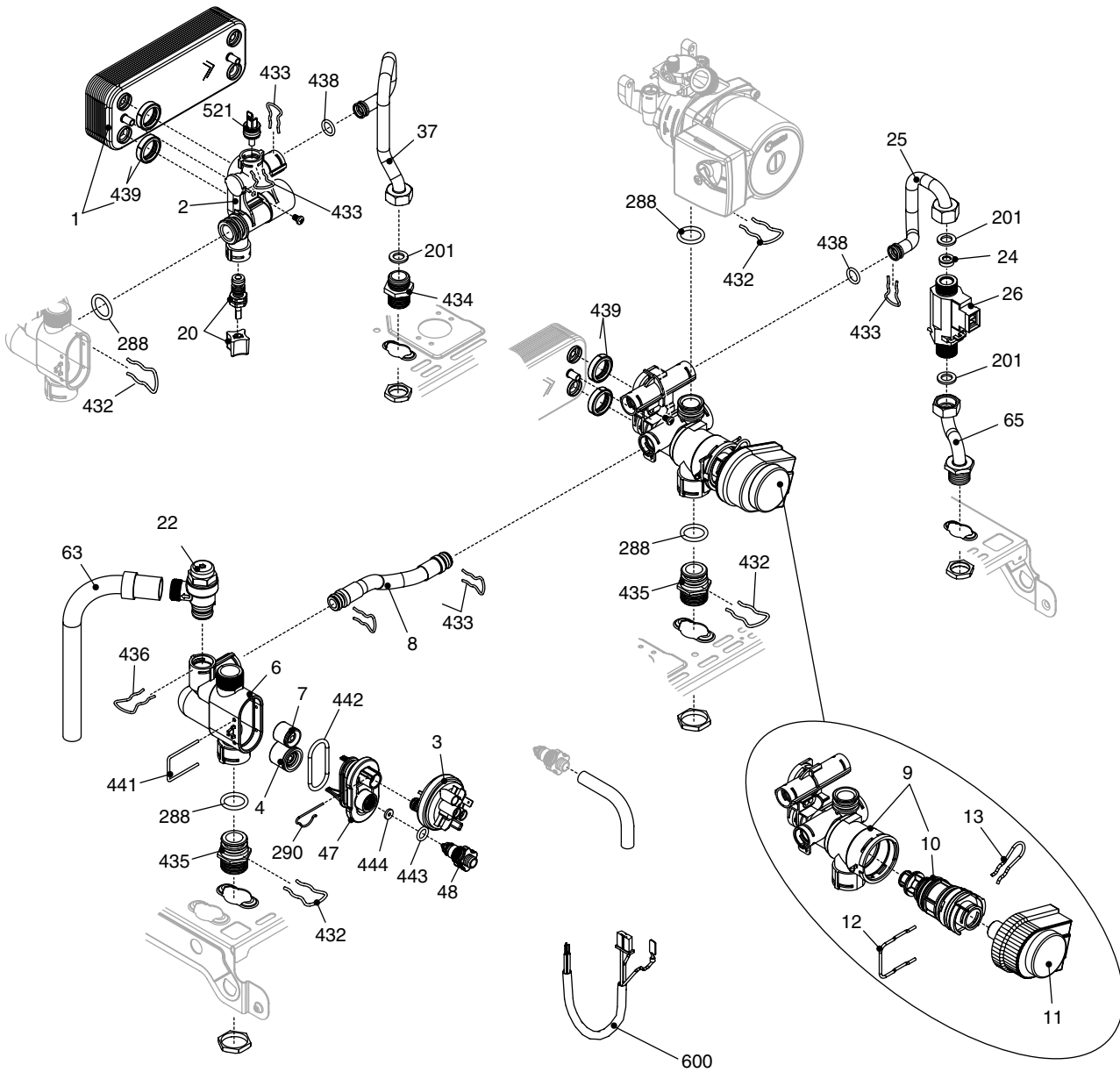
Residence



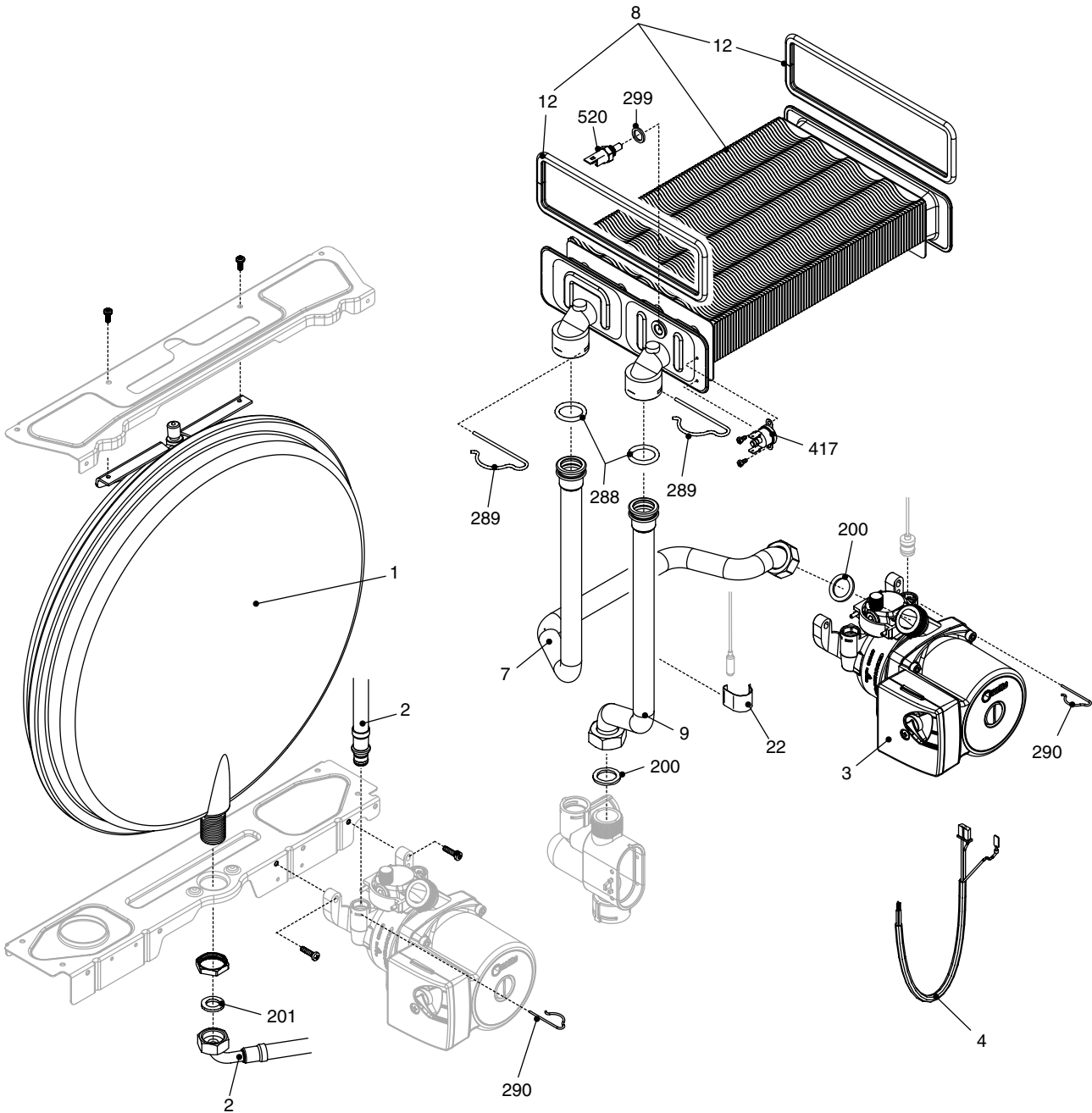
MODEL	PART NUMBER	
	MTN	GPL
Residence 24 KI N	2970093 (A2M)	-
Residence 28 KI N	2970103 (A3M)	-
Residence 24 KIS N	2970113 (A4M)	-
Residence 28 KIS N	2970123 (A5M)	-



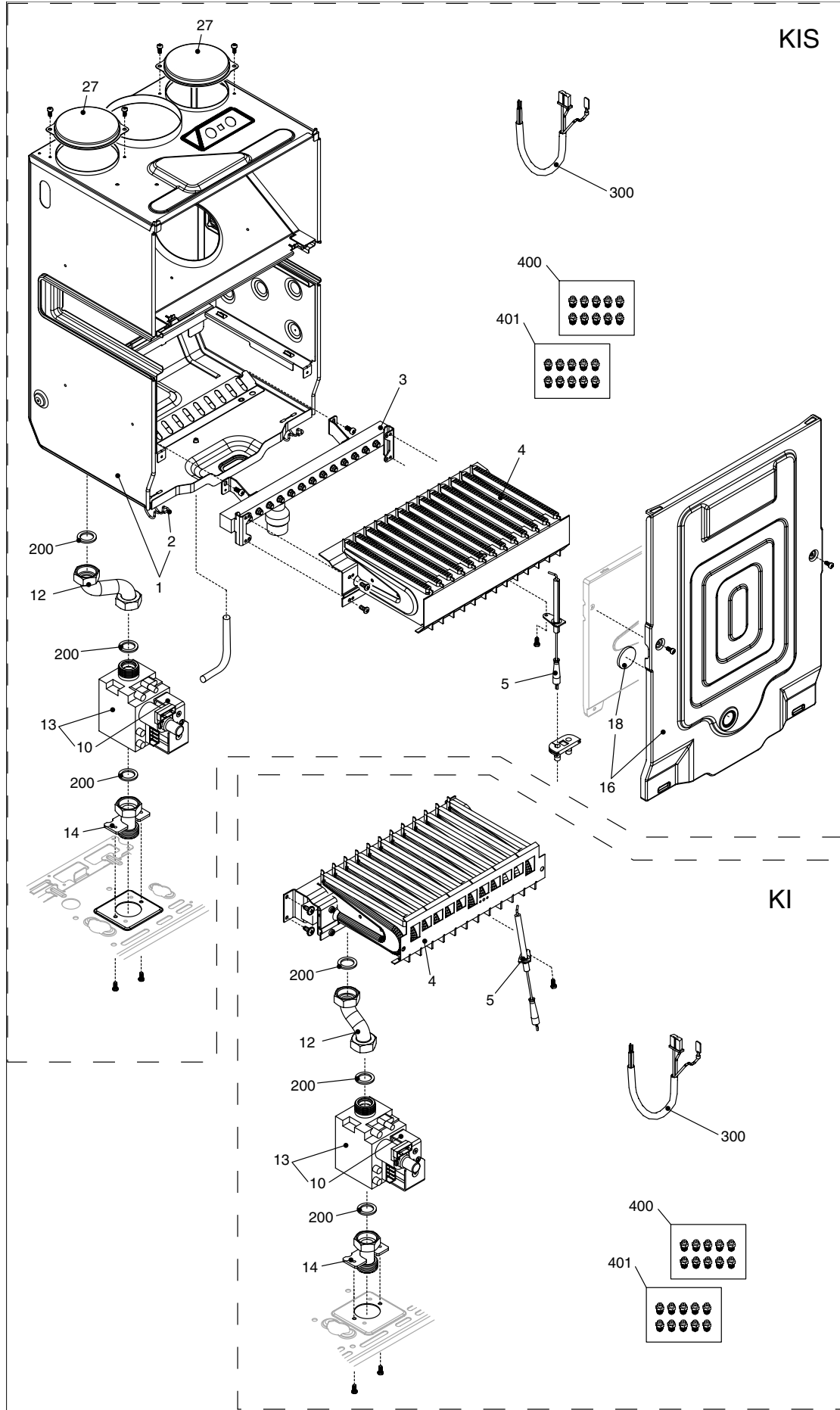
POS.	DESCRIPTION	24ki	28 ki	24 kis	28 kis
1	Frame assembly	R01005353	R01005355	R01005353	R01005353
12	Thermo-pressure gauge	R10023432	R10023432	R10023432	R10023432
16	2a 5x20 inline fuse	R8968	R8968	R8968	R8968
18	Cover	-	-	R10025029	R10025029
19	Ignition module	R10022174	R10022174	R10022174	R10022174
20	Printed circuit board	R10025340	R10025340	R10025340	R10025340
21	Led light guide	R10022417	R10022417	R10022417	R10022417
22	Shaft	R10022424	R10022424	R10022424	R10022424
25	Cover	R10023315	R10023315	R10023315	R10023315
26	Instrumental panel	R10023317	R10023317	R10023317	R10023317
27	Knob	R10022419	R10022419	R10022419	R10022419
28	Knob	R10023316	R10023316	R10023316	R10023316
31	Case	R01005320	R01005322	R01005320	R01005320
34	Fixing flange	R10026989	R10026989	R10026989	R10026989
104	Front panel protection	R10027428	R10027428	-	-
226	Edge clip	R5128	R5128	R5128	R5128
470	Transformer	R10026031	R10026031	R10026031	R10026031
500	Wiring harness	R10021407	R10021407	R10021407	R10021407
501	Wiring harness	R10027010	R10027007	R10027011	R10027010



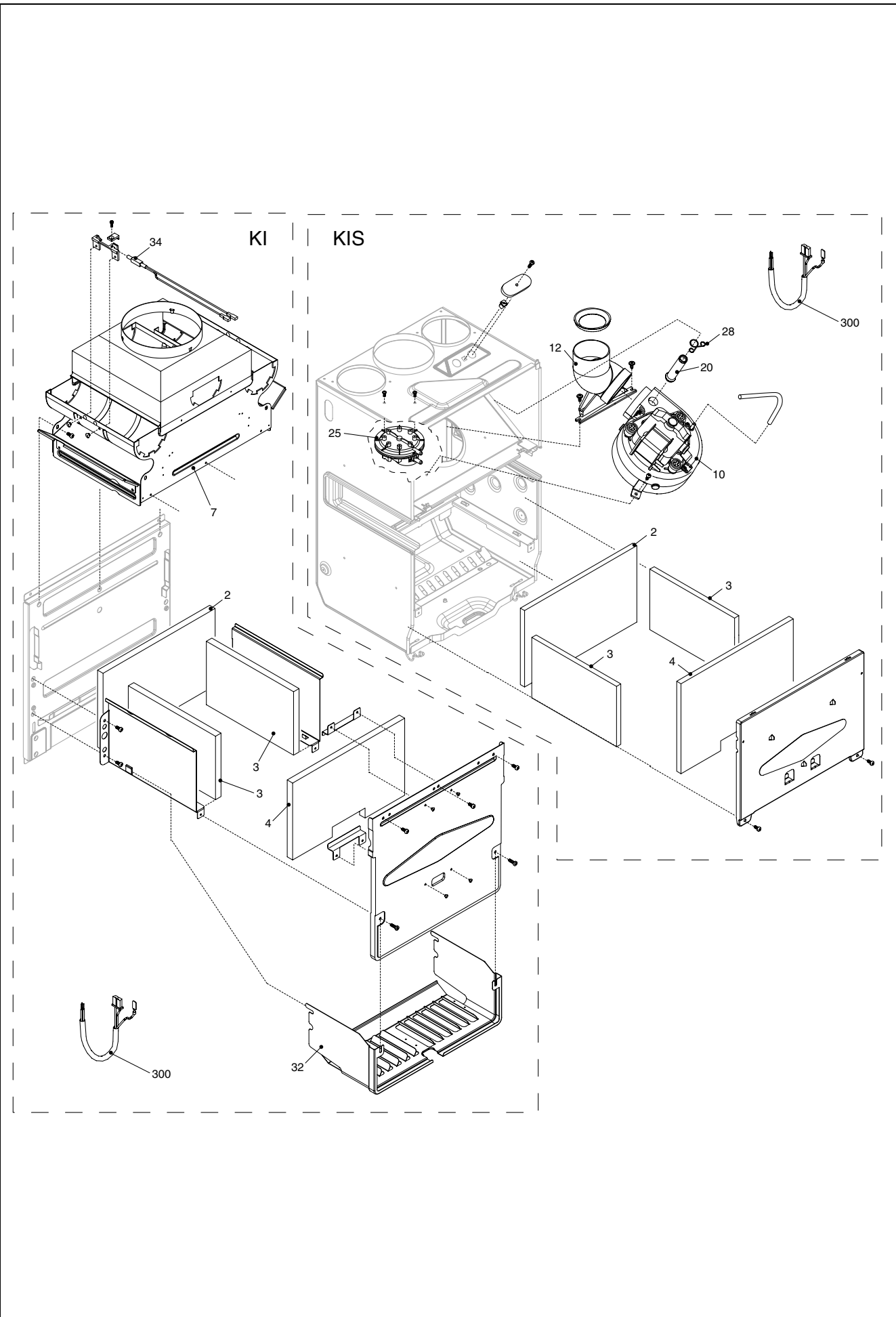
POS.	DESCRIPTION	24ki	28 ki	24 kis	28 kis
1	Domestic water heat exchanger	R8036	R8037	R8036	R8037
2	Connection	R10026987	R10026987	R10026987	R10026987
3	Pressure switch	R2044	R2044	R2044	R2044
4	Non return valve	R10025056	R10025056	R10025056	R10025056
6	By-pass casing	R10024642	R10024642	R10024642	R10024642
7	Heating by-pass valve	R2047	R2047	R2047	R2047
8	Pipe	R10026193	R10026193	R10026193	R10026193
9	Heating manifold and cartridge	R10026506	R10026506	R10026506	R10026506
10	3 way valve cartridge	R10025305	R10025305	R10025305	R10025305
11	Motorised valve	R10025304	R10025304	R10025304	R10025304
12	Clip	R10025450	R10025450	R10025450	R10025450
13	Clip	R10025449	R10025449	R10025449	R10025449
20	Filling cock	R10025060	R10025060	R10025060	R10025060
22	Safety valve	R10025055	R10025055	R10025055	R10025055
24	Red flow governor	R10024987	R10025080	R10024987	R10025080
25	Pipe	R10026423	R10026423	R10026423	R10026423
26	Dhw actuator	R10022348	R10022348	R10022348	R10022348
37	Pipe	R10026988	R10026988	R10026988	R10026988
47	Cover for by-pass assembly	R10024643	R10024643	R10024643	R10024643
48	Discharge cock	R10024646	R10024646	R10024646	R10024646
63	Pipe	R10025058	R10025058	R10025058	R10025058
65	Pipe	R10026422	R10026422	R10026422	R10026422
201	Washer	R5026	R5026	R5026	R5026
288	O ring	R6898	R6898	R6898	R6898
290	Clip	R2165	R2165	R2165	R2165
432	Clip	R10024958	R10024958	R10024958	R10024958
433	Clip	R10024986	R10024986	R10024986	R10024986
434	1/2" nipple	R10024985	R10024985	R10024985	R10024985
435	Connection	R10025059	R10025059	R10025059	R10025059
436	Clip	R10025062	R10025062	R10025062	R10025062
438	O-ring	R10024988	R10024988	R10024988	R10024988
439	Washer	R10025067	R10025067	R10025067	R10025067
441	Clip	R10025063	R10025063	R10025063	R10025063
442	O-ring	R10025065	R10025065	R10025065	R10025065
443	O-ring	R10025064	R10025064	R10025064	R10025064
444	Washer	R10025066	R10025066	R10025066	R10025066
521	Ntc sensor	R10027351	R10027351	R10027351	R10027351
600	Wiring harness	R10027007	R10027010	R10027007	R10027007



POS.	DESCRIPTION	24ki	28 ki	24 kis	28 kis
1	8 l. expansion vessel	R2204	R2204	R2204	R2204
2	Flexible pipe	R10025188	R10025188	R10025188	R10025188
3	Circulation pump	R10027572	R10027572	R10027572	R10027572
4	Wiring harness (pump)	R10027009	R10027009	R10027009	R10027009
7	Pipe	R10026500	R10026503	R10026420	R10026420
8	Heat exchanger	R10023651	R10023652	R10023651	R10024301
9	Pipe	R10024981	R10026504	R10026421	R10026421
12	Washer	-	-	R2226	R2226
22	Clip	R3412	R3412	R3412	R3412
200	Washer	R5023	R5023	R5023	R5023
201	Washer	R5026	R5026	R5026	R5026
288	O ring	R6898	R6898	R6898	R6898
289	Clip	R2223	R2223	R2223	R2223
290	Clip	R2165	R2165	R2165	R2165
299	Washer	R10022726	R10022726	R10022726	R10022726
417	High limit thermostat	R10024710	R10024710	R10024710	R10024710
520	Ntc sensor	R10027352	R10027352	R10027352	R10027352



POS.	DESCRIPTION	24ki	28 ki	24 kis	28 kis
1	Roomsealed chamber	-	-	R10024669	R10024745
2	Air box clip	-	-	R0442	R0442
3	Main burner injector manifold	-	-	R10025271	R10024742
4	Burner	R10025273	R10023876	R10025270	R10026102
5	Spark-sensing electrode	R10025985	R10025985	R10025985	R10025985
10	Gas valve solenoid	R10020838	R10020838	R10020838	R10020838
12	Gas pipe	R10026704	R10026704	R10026707	R10026707
13	Gas valve	R10021021	R10021021	R10021021	R10021021
14	Gas pipe	R10026703	R10026703	R10026703	R10026703
16	Cover assembly	-	-	R10024779	R10024779
18	Glass	-	-	R10021558	R10021558
27	Hole cover	-	-	R10023805	R10023805
200	Washer	R5023	R5023	R5023	R5023
300	Wiring harness (gas valve)	R10027011	R10027008	R10027012	R10027011
400	Ng conversion kit	R01005225	R01005225	R01005225	R01005225
401	Lpg conversion kit	R01005217	R01005217	R01005297	R01005297



POS.	DESCRIPTION	24ki	28 ki	24 kis	28 kis
2	Back insulating panel	R5270	R5316	R2230	R2230
3	Lateral insulating panel	R2272	R2272	R2231	R2231
4	Front insulating panel	R5269	R5315	R2232	R2232
7	Hood assembly	R10026298	R10026299	-	-
10	Fan	-	-	R10020793	R10023907
12	Fan connection	-	-	R10021972	R10021972
20	Fumes testing connection pipe	-	-	R10021973	R10021973
25	Pressure diff. switch	-	-	R01005272	R10023908
28	Stop clip	-	-	R10020626	R10020626
32	Combustion chamber bottom	R10024609	R10024608	-	-
34	Fumes thermostat	R10021449	R10021188	-	-
100	Wiring harness	R10027008	R10027011	R10027010	R10027012



Riello reserve the right to change the specifications without prior notice.
Consumers' statutory rights are not affected.